

## ***Hold Open Arm Replacement – Roof Scuttle***

### **Hold Open Arm Removal**

**Tools needed for this procedure:** *1/2" box end wrench, (2) C' Clamps (1) 1/2" x 2" x 35" approx. wood brace or similar device with equal or greater strength.*

- 1) Open the cover of the door.
- 2) Brace door to open position as shown on Figure 1.



Figure 1

- 3) Remove red vinyl grip from hold open arm by twisting. (Figure 2)



Figure 2

## *Hold Open Arm Replacement – Roof Scuttle*

- 4) Using a ½” box wrench remove bolts holding arm to curb. (Figure 3)



Figure 3

- 5) Remove *Hold Open Arm* from frame and *Track* as shown in Figures 4 & 5.



Figure 4

## *Hold Open Arm Replacement – Roof Scuttle*



Figure 5

- 6) If required, remove *Hold Open Arm Track* by using ½” box wrench to loosen bolts. (Figures 6 & 7)



Figure 6

## *Hold Open Arm Replacement – Roof Scuttle*



Figure 7

### **NEW HOLD OPEN ARM INSTALLATION**

- 7) To install replacement Track, align round hole at bottom of Track with bottom hole in cover. (Figure 8)



Figure 8



## ***Hold Open Arm Replacement – Roof Scuttle***

- 8) Using a ½” box wrench, screw bolt in round hole first, snug tight. (Figure 9)
- 9) Align slotted holes and secure bolts. (Figure 9)



Figure 9

- 10) Attach replacement Hold Open Arm to curb. (Figure 10)



Figure 10

## *Hold Open Arm Replacement – Roof Scuttle*

11) Using ½” box wrench, tighten bolts. (Figure 11)



Figure 11

12) Position *Hold Open Arm* into bottom of Track (behind detent). (Figures 12 & 13)



Figure 12

## *Hold Open Arm Replacement – Roof Scuttle*

- 13) Once *Hold Open Arm* is in position, install bushing. Bushing must rest on slot as shown (Figures 13 & 14)



Figure 13



Figure 14



## *Hold Open Arm Replacement – Roof Scuttle*

14) With bushing properly installed, continue by installing washer (Figures 15 & 16)



Figure 15



Figure 16



## *Hold Open Arm Replacement – Roof Scuttle*

15) Hold open to hold washer in place. Washer must rotate freely. (Figure 17 & 18)



Figure 17



Figure 18

## *Hold Open Arm Replacement – Roof Scuttle*

- 16) Slide tag onto handle of *Hold Open Arm*. (Figure 19)



Figure 19

- 17) Install red vinyl grip to Hold Open Arm by twisting. (Figure 20)



Figure 20

## *Hold Open Arm Replacement – Roof Scuttle*

18) Proper installation. (Figures 21 & 22)

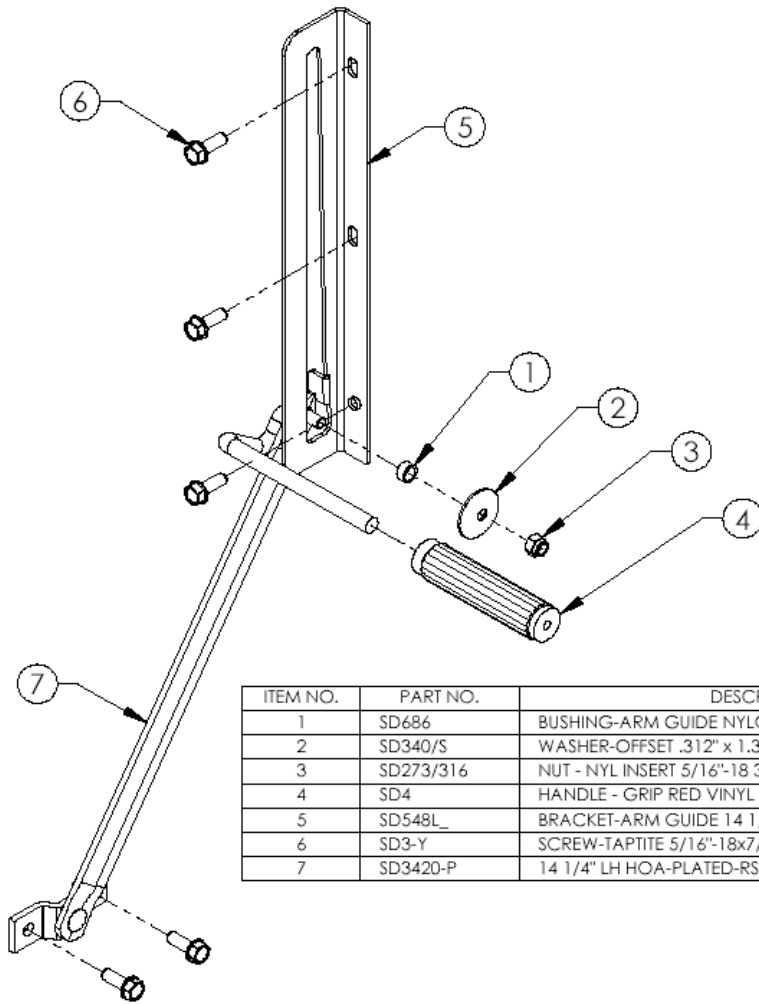


Figure 21



Figure 22

## *Hold Open Arm Replacement – Roof Scuttle*



ITEM NO.	PART NO.	DESCRIPTION	QTY.
1	SD686	BUSHING-ARM GUIDE NYLON	1
2	SD340/S	WASHER-OFFSET .312" x 1.375 316SS	1
3	SD273/316	NUT - NYL INSERT 5/16"-18 316SS	1
4	SD4	HANDLE - GRIP RED VINYL G-2R7	1
5	SD548L_	BRACKET-ARM GUIDE 14 1/4" & 18 7/8" W/DETENT L.H.	1
6	SD3-Y	SCREW-TAPTITE 5/16"-18x7/8" YELLOW CHRMT	5
7	SD3420-P	14 1/4" LH HOA-PLATED-RS-FOR ROLLER	1